

INDUSTRY PRODUCTS CATALOGUE



Chief RUBBER is a manufacturer specializing in **rubber** and rubber related products.

CR (Chief rubber) has changed since its founding in 2007, but one thing has always remained the same. This is our commitment to develop, produce and deliver products and services on time.

The product range is designed to cater to many users across a broad spectrum of industries encompassing North American, Europe, Middle East, South East Asia and Africa including.....

- General & Specialized engineering
- Welders & Steel fabricators
- Abattoirs & Food processing plants
- Truck & Machinery repairers
- Transport Industry
- Mines & Quarries
- Manufacturing plants
- Grain handling & Grain processing plants
- Agribusiness
- Educational Institutions
- General trades people

Products include the following.....

- Sheet & strip rubber
- Slid & sponge rubber extrusions
- Specialized rubber – food grade, abrasive resistant, high/low temp, chemical resistant + + +
- Made to spec chutes & cut to spec rubber
- Skirting rubber
- Foam & rubber weather seals
- Workshop & Anti-fatigue Matting
- Ute Matting
- Livestock Matting

As an independent business we stock only quality product to provide the best results for your needs

This Product Catalogue is designed to be an overview of our product base – it does not convey all that is available in our factory. If there is something specific you need, please give us a call or email.

“**Max** your results with **Chief** rubber”

Sucre Li



1-501 RM. NO.28 Building NO.216
heyuan road Qingdao China 266113
Cellphone:+86 137 9321 0283

www.chiefrubber.com
info@chiefrubber.com Prices & Spec's
subject to change without notice

GENERAL PROPERTIES OF RUBBER (ELASTOMERS)

The following table provides a general overview of the various common rubber compounds available. Basic elastomers are mixed with a variety of chemicals plus natural and synthetic polymers to deliver different physical properties.

| Common Name | General Properties | Resistant to: | Not Resistant to: |
|---|--|---|--|
| Natural rubber NR Isoprene, Natural | Excellent physical properties including abrasion and low temperature resistance. Poor resistance to petroleum-based fluids | Most moderate chemicals, organic acids, alcohols, ketones and aldehydes | Ozone, strong acids, fats, oils, fuel, solvents, petroleum derivatives, hydraulic fluids, greases and most hydro-carbons |
| Neoprene CR Chloroprene | Good weathering resistance, resilience and abrasion. Flame retarding. Moderate resistance to petroleum-based fluids | Most moderate chemicals & acids, ozone, oils, fats, petroleum, grease, animal & vegetable oils, refrigerants, steam & CO ² | Strong oxidizing acids, esters, ketones, chlorinated, aromatic & nitro hydrocarbons |
| Nitrile Buna-N Nitrile-butadiene | Excellent resistance to petroleum-based fluids. Good physical properties against tear, abrasion & heat aging | Many hydrocarbons, fats, oils, petroleum, solvents, mineral & vegetable oils, fuels, greases, hydraulic fluids & many chemicals | Ozone & weathering, ketones, esters, aldehydes, chlorinated & nitro hydrocarbons |
| EPDM Ethylene Propylene Diene Modified | Excellent resistance to ozone, weather, UV plus a wide range of chemicals, steam & water | Animal & vegetable oils, ozone, weathering, strong & oxidising chemicals, alkalis, brake fluid & hydraulic fluids | Mineral oils & solvents, petroleum oils & fluids, aliphatic & aromatic hydrocarbons |
| Butyl BR Isobutylene- isoprene | Very good UV & ozone resistance & dielectric properties. Low permeability to air & gases. Excellent chemical & high temp resistance | Animal & vegetable fats, oils, greases, oxygenated solvents, alkalis, strong & oxidising chemicals, ammonia & corrosive acids | Petroleum oils, fluids & solvents. Tar & diester-based lubricants & solvents. Aliphatic & aromatic hydrocarbons |
| SBR Styrene Butadiene | Similar properties to natural rubber but with better low temp flexibility, heat aging, resistance to water and abrasion plus alcohol & oxygenated solvents | Most moderate chemicals, organic acids, alcohols, ketones and aldehydes | Ozone, strong acids, fats, oils, greases and most hydrocarbons |
| Silicone Q, Si Polysiloxane | Excellent temperature range flexibility & resilience. Generally, chemically inert & non-toxic, excellent weathering and resistant to many chemicals | Wide range of chemicals, ozone, oxygen, UV, moisture & fungi. | Concentrated acids & alkali, some solvents & oils, sodium hydroxide & steam |

The information provided in this table comes from a range of different sources and as such should be used as a guide only. For more precise information please seek individual specifications supplies by us.



1-501 RM. NO.28 Building NO.216
heyuan road Qingdao China 266113
Cellphone:+86 137 9321 0283

www.chiefrubber.com
info@chiefrubber.com Prices & Spec's
subject to change without notice

RUBBER SHEET

NATURAL RUBBER INSERTION – COMMERCIAL GRADE

Commercial Grade Natural Rubber Insertion is a general-purpose natural rubber, reinforced with one or more cotton fabric plies to improve tear strength and dimensional stability. It has good physical properties including moderate abrasion resistant and low temperature flexibility and is used for a wide range of non-critical applications.

It has low resistant to petroleum-based fluids and organic solvents.



| | | | |
|--|---------------------------|---------------------|-------------|
| Width: | 1800mm(max) | | |
| Length: | Any length longer than 2m | | |
| Thickness: | From 1mm to 50mm | | |
| Standard Color: | black | | |
| Specification: | Test Method | Unit | Test Result |
| Hardness | ASTM D2240 | Shore A | 45-85 |
| 100% Modulus | ASTM D-412 | kgf/cm ² | 24 |
| Tensile Strength | JIS K6301 | kgf/cm ² | 48 |
| Elongation | JIS K6301 | % | 275 |
| Tear Strength | ASTM D-412 | kgf/cm | 25 |
| * Any fabric insertion available for request. | | | |



Commercial Natural Rubber Strip – cut to popular widths for a multitude of different applications. Ideal for around shed doors, draught seals, vermin control, mud flaps, chassis rail strip, gaskets, rubber strapping, seals, isolation mounting, limited vibration control, stone protection.

For home, farm, business, work site and industry, for non-critical applications.

Any width can be customized.

Other grades of rubber also available in strip form.



1-501 RM. NO.28 Building NO.216
heyuan road Qingdao China 266113
Cellphone:+86 137 9321 0283

www.chiefrubber.com
info@chiefrubber.com Prices & Spec's
subject to change without notice

NATURAL RUBBER INSERTION – PREMIUM GRADE with Nylon insertion

Premium Rubber Insertion is a premium grade rubber made from a blend of natural and synthetic polymers reinforced with a heavy -duty nylon cord fibre to deliver excellent tear strength and dimensional stability. It has excellent resilience and low temperature flexibility along with good compression set. It has a higher tensile strength to the commercial grade plus a better surface finish.



Premium Rubber Insertion is used for wide range of more demanding applications such as 4WD mud flaps, truck mud flaps, machinery flaps, heavy duty skirts and curtains, sports net protection, horse float rail dividers.

PURE GUM 35

Pure Gum Rubber is an un-pigmented, highly elastic premium grade 35 Duro rubber with excellent resistance to cutting, tearing and abrasion. Pure Gum has outstanding resilience and strength and has superior resistance to fine particle and wet slurry abrasion. It contains no colour pigmentation and as such is suitable for applications where colour contamination is concern. Pure Gum is not suitable for outdoor applications due to its poor resistance to weathering.



Pure Gum Rubber is used for a wide range of applications including seals and gaskets, vessel lining, diaphragm seals, vacuum blankets, pads and strips.

| | | | |
|--|-----------------------------|---------------------|---------------|
| Width: | 2000mm(max) | | |
| Length: | Any length longer than 2m | | |
| Thickness: | From 1mm to 50mm | | |
| Standard Color: | Tan, Red | | |
| Specification: | Test Method | Unit | Test Result |
| Temperature range | ASTM D2137 | °C | -45°C to 85°C |
| Hardness | ASTM D2240 | Shore A | 42 |
| 100% Modulus | ASTM D-412 | psi | 150 |
| Tensile Strength | JIS K6301 | kgf/cm ² | 160 |
| | ASTM D-412 | psi | 3000 |
| Elongation | JIS K6301 | % | 600 |
| | ASTM D-412 | % | 600 |
| Tear Strength | ASTM D-412 | kgf/cm | 50 |
| | | lbs/in | 280 |
| ASTM Line Call -out | D2000-M2-AA4071-A13-B33-F17 | | |
| * Fabric insertion available for request. | | | |

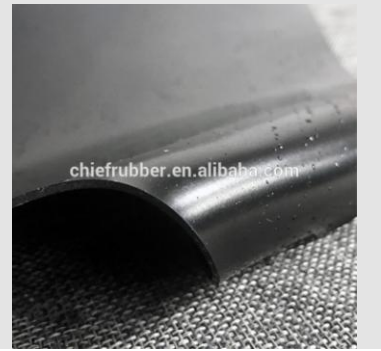


1-501 RM. NO.28 Building NO.216
heyuan road Qingdao China 266113
Cellphone:+86 137 9321 0283

www.chiefrubber.com
info@chiefrubber.com Prices & Spec's
subject to change without notice

NEOPRENE (CR) RUBBER SHEET

Neoprene rubber sheet is a premium grade blended synthetic rubber made from 30% Neoprene polymer. It has excellent physical properties including good mechanical strength with moderate abrasion resistance and tear strength. It also gives good adhesion to metal. Neoprene rubber has good resistance to heat, steam, oils, fats, ozone, weathering oxidation, sunlight and refrigeration. Neoprene also has good resistance to oils, acids, greases, inorganic hydrocarbons and other chemicals.



Neoprene rubber is used for a wide range of applications including skirting, seals and gaskets, pads and strips, tank and vessel lining, skirting and curtains and load bearing bases.

| | | | |
|--|---------------------------|---------|-------------|
| Width: | 1800mm(max) | | |
| Length: | Any length longer than 2m | | |
| Thickness: | From 1mm to 25mm | | |
| Standard Color: | Black | | |
| Specification: | Test Method | Unit | Test Result |
| Hardness | ASTM D2240 | Shore A | 70+-5 |
| 100% Modulus | ASTM D-412 | kgf/cm2 | 87 |
| Tensile Strength | JIS K6301 | kgf/cm2 | 98 |
| Elongation | JIS K6301 | % | 195 |
| Tear Strength | ASTM D-412 | kgf/cm2 | 30 |
| Abrasion Resistance, 6 Lb/3300 RPM | | | |
| | ASTM D-1042 | C.C. | 1.9 |
| * Fabric insertion available for request. | | | |

NITRILE (NBR) RUBBER SHEET

Nitrile Rubber Sheet is a black premium grade 65 Duro synthetic rubber made from 100% Nitrile polymer which exhibits excellent resistance to petroleum-based fluids. Nitrile has the ability to resist long term exposure to fuel, oil and other hydrocarbons plus a wide range of chemicals, acids, alkalis, refrigerants, steam and carbon dioxide. Nitrile has good mechanical strength and abrasion resistance but has low resistant to weathering, sunlight and ozone.



Nitril Rubber is used for a wide range of applications including skirting and curtains, seals and gaskets, tank and vessel lining and general sealing.



1-501 RM. NO.28 Building NO.216
heyuan road Qingdao China 266113
Cellphone:+86 137 9321 0283

www.chiefrubber.com
info@chiefrubber.com Prices & Spec's
subject to change without notice

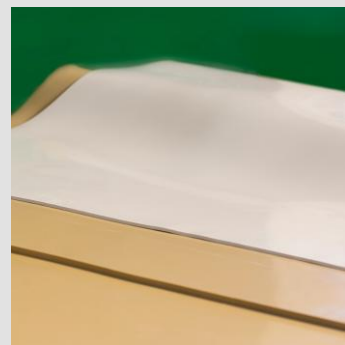
| | | | |
|--|---------------------------|---------|-------------|
| Width: | 1800mm(max) | | |
| Length: | Any length longer than 2m | | |
| Thickness: | From 1mm to 25mm | | |
| Standard Color: | Black | | |
| Specification: | Test Method | Unit | Test Result |
| Hardness | ASTM D2240 | Shore A | 77+-5 |
| 100% Modulus | ASTM D-412 | kgf/cm2 | 105 |
| Tensile Strength | JIS K6301 | kgf/cm2 | 107 |
| Elongation | JIS K6301 | % | 123 |
| Tear Strength | ASTM D-412 | kgf/cm | 31 |
| * Fabric insertion available for request. | | | |

WHITE NITRILE (NBR) RUBBER SHEET

White Nitrile Rubber sheet is a premium grade synthetic rubber made from 100% Nitrile polymer developed with superior resistance to food fats and oils a wide range of chemicals, acids, alkalis, animal fats and other hydrocarbons.

White Nitrile Rubber is made from FDA approved non-marking materials, making it ideal for applications involving long term exposure to food products.

White Nitrile has good mechanical strength and abrasion resistance but has a low resistance to weathering, sunlight and ozone.



White Nitrile Rubber is used for a wide range of applications in the food handling and processing industries including skirting and curtains, seals and gaskets, lining and general sealing.

| | | | |
|--|-----------------------------|---------|----------------|
| Width: | 1800mm(max) | | |
| Length: | Any length longer than 2m | | |
| Thickness: | From 1mm to 25mm | | |
| Standard Color: | Black | | |
| Specification: | Test Method | Unit | Test Result |
| Temperature range | ASTM D2137 | °C | -30°C to 110°C |
| Hardness | ASTM D2240 | Shore A | 70+-5 |
| 100% Modulus | ASTM D-412 | psi | 320 |
| Tensile Strength | JIS K6301 | kgf/cm2 | 70 |
| | ASTM D-412 | psi | 1000 |
| Elongation | JIS K6301 | % | 350 |
| Tear Strength | ASTM D-624 | kgf/cm | 23 |
| ASTM Line Call | D2000-M5-BG608-A14-B14-EO34 | | |
| * Fabric insertion available for request. | | | |



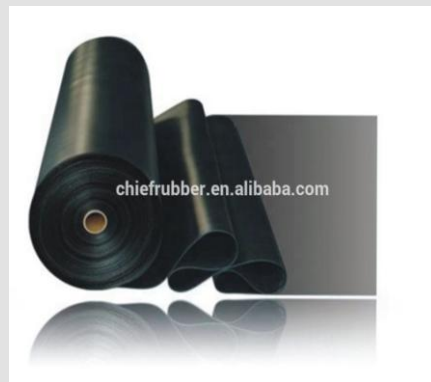
1-501 RM. NO.28 Building NO.216
heyuan road Qingdao China 266113
Cellphone:+86 137 9321 0283

www.chiefrubber.com
info@chiefrubber.com Prices & Spec's
subject to change without notice

EPDM

EPDM Rubber is a premium grade, 65/70 Duro synthetic rubber made from 100% EPDM polymer. It has excellent ozone and high temperature resistance which makes it ideal for outdoor applications with long term exposure to weathering and UV.

EPDM Rubber has resistance to a wide range of chemicals, acids, alkalis, brake and hydraulic fluids, animal and vegetable oils, water, steam plus has excellent electrical insulating properties. EPDM Rubber is also suitable for prolonged exposure to aquatic environments and will not deteriorate when submerged.



EPDM Rubber is used for a wide range of applications including seals and gaskets, skirting and curtains, pads and strips plus general sealing.

| | | | |
|--|---------------------------|---------|-------------|
| Width: | 1800mm(max) | | |
| Length: | Any length longer than 2m | | |
| Thickness: | From 1mm to 25mm | | |
| Standard Color: | Black | | |
| Specification: | Test Method | Unit | Test Result |
| Hardness | ASTM D2240 | Shore A | 77+-5 |
| 100% Modulus | ASTM D-412 | kgf/cm2 | 73 |
| Tensile Strength | JIS K6301 | kgf/cm2 | 82 |
| Elongation | JIS K6301 | % | 188 |
| Tear Strength | ASTM D-412 | kgf/cm | 24 |
| Abrasion Resistance, 6 Lb/3300 RPM | | | |
| | ASTM D-1042 | C.C. | D.2.06 |
| * Fabric insertion available for request. | | | |

BUTYL RUBBER

Butyl Rubber is a premium grade 100% synthetic rubber made from Bromo-butyl polymer. It has been developed for its excellent chemical, weathering and high temp resistance.

Butyl Rubber has very good resistance to corrosive acids & alkalis plus maintaining moderate abrasion resistance.

Butyl Rubber exhibits very good UV & ozone resistance & dielectric properties plus low permeability to air and gases.



Butyl Rubber is used for a wide range of critical applications including gaskets and seals, tank and vessel lining, pads and strips, transfer socks and chutes, skirting & curtains plus pond liners.



1-501 RM. NO.28 Building NO.216
heyuan road Qingdao China 266113
Cellphone:+86 137 9321 0283

www.chiefrubber.com
info@chiefrubber.com Prices & Spec's
subject to change without notice

SILICONE RUBBER

Silicone is an extremely resilient, totally synthetic rubber with excellent resistance to heat, weathering, ozone, mineral oils, moderate acids and alkalis plus a wide range of chemicals.

Silicone is impervious to UV light, is non-toxic, chemically inert and will retain its flexibility and properties over a wide temperature range.

Silicone far out distances other elastomers in general service life, compression set resistance, electrical strength and non-stick properties. Available in red, white and transparent. All the silicone supplied, meets the requirements of FDA 21 CFR Part 177.2600, making it suitable for use in food manufacturing and handling applications.



Silicone Rubber is used for a wide range of applications including gaskets and seals, pads and strips, transfer socks and chutes, skirting and curtains.

| | | | |
|--|--|---------|----------------------|
| Standard Size: | 1M X 2M (Width by Length) | | |
| Width: | 1M or 1.22M, can be customized (48inch) | | |
| Length: | 5-20m, can be customized | | |
| Thickness: | From 1mm to 10mm | | |
| Standard Color: | Red (other colors are available for request) | | |
| Specification: | Test Method | Unit | Test Result |
| Temperature range | ASTM D2137 | °C | -70°C to 260°C |
| Specific Gravity | ASTM D792 | g/cm3 | 1.25 |
| Hardness | ASTM D2240 | Shore A | 45-75 Shore A |
| Tensile Strength | JIS K6301 | kgf/cm2 | 100 |
| Elongation | JIS K6301 | % | 390 |
| Breakdown Voltage | UL94HB | KV | 24 |
| Volume Resistivity | UL94HB | .cm | 1 x 10 ¹⁵ |
| Aging properties, 100oC, 72 hours | Hardness Change | | -7 shore A |
| | Tensile Strength Change | | -26% |
| | Elongation Change | | -7% |
| Oil Resistance Properties, test by JIS #3 test oil, under 150oC, 72 hours | hardness change | | -17 shore A |
| | Tensile Strength Change | | -35% |
| | Elongation Change | | -6% |
| | Volume Change | | +35% |
| * Fabric insertion available for request. | | | |

OTHER SPECIALTY RUBBERS ARE AVAILABLE – please enquire....



1-501 RM. NO.28 Building NO.216
heyuan road Qingdao China 266113
Cellphone:+86 137 9321 0283

www.chiefrubber.com
info@chiefrubber.com Prices & Spec's
subject to change without notice

NATURAL RUBBER SKIRTING – 60Duro

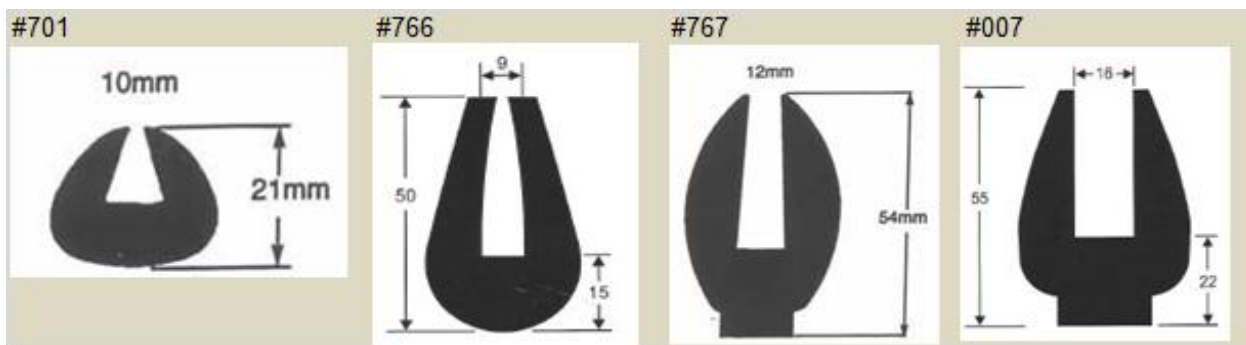
Natural Rubber Skirting is a general purpose 60 Duro natural rubber used as a sealing strip on conveyor systems or similar applications.

The hardness and wear properties of this rubber is specifically designed to ensure it will be worn by the conveyor belt once adjusted, creating a seal and reducing both material spillage and dust escaping. This also eliminates the potential for the skirting rubber to wear the conveyor belt cover.



| | |
|------------------------|---------------------------|
| Width: | Customized |
| Length: | Any length longer than 2m |
| Thickness: | From 1mm to 50mm |
| Standard Color: | Black |

SCREEN DECK RUBBER – CAPPING RUBBER



Minimum quantity orders may apply – most rolls x 20mts MOQ

OTHER PROFILES AVAILABLE – Minimum Order quantities apply – POA

SOLID RUBBER WHEEL CHOCKS



All available in custom widths – other profiles available



1-501 RM. NO.28 Building NO.216
heyuan road Qingdao China 266113
Cellphone:+86 137 9321 0283

www.chiefrubber.com
info@chiefrubber.com Prices & Spec's
subject to change without notice

RUBBER BUFFERS – Industrial, Agriculture & Automotive applications

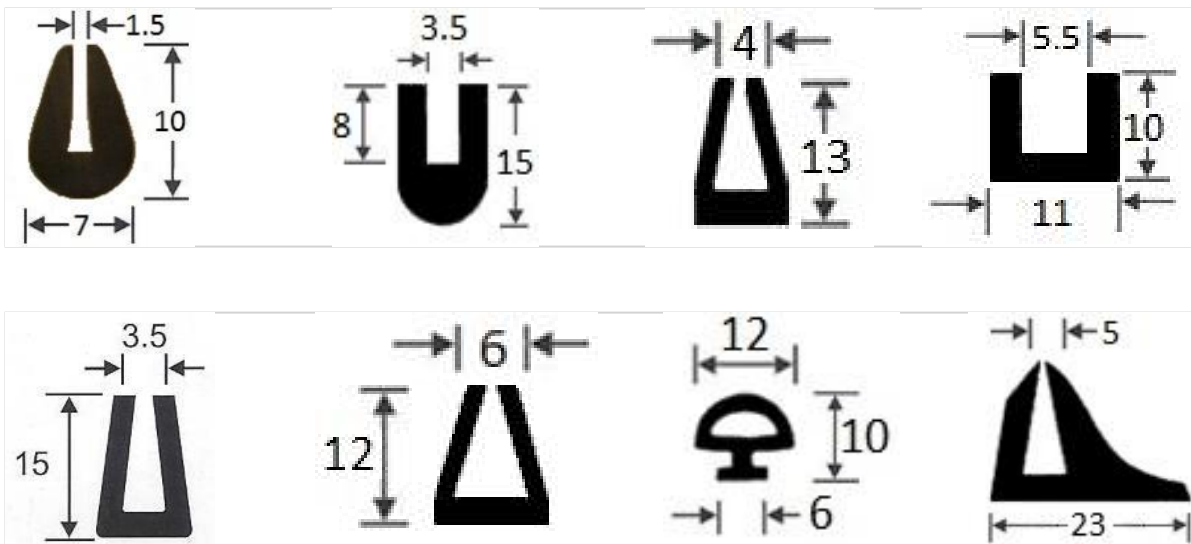


RUBBER – DOOR ACCESS RAMPS

Made from recycled rubber – heavy with good grip
Reduce trip hazards with low ramp angle

| Model | Dimensions | | |
|-------|---------------------|--|--|
| #1 | 900 x 200 x 25-0mm | | |
| #2 | 1067 x 305 x 32-0mm | | |
| #3 | 1270 x 457 x 44-0mm | | |
| #4 | 1524 x 610 x 55-0mm | | |

RUBBER & PVC EXTRUSIONS - SOLID



Minimum quantity orders may apply – most rolls x 20mts MOQ

OTHER PROFILES AVAILABLE – Minimum Order quantities apply - POA



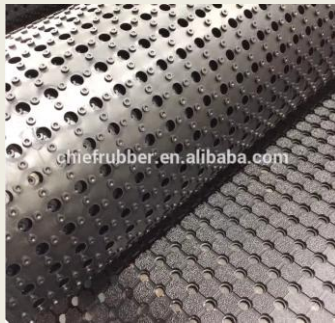
1-501 RM. NO.28 Building NO.216
heyuan road Qingdao China 266113
Cellphone:+86 137 9321 0283

www.chiefrubber.com
info@chiefrubber.com Prices & Spec's
subject to change without notice

RUBBER & ANTI-SLIP (ANTI-FATIGUE) MATTING

Premium Ute Matting

Better compound
Max width 1830mm
10mm thick



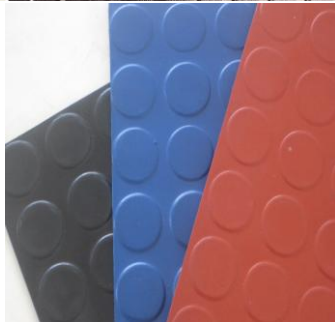
Anti-fatigue Matting

Nitrile (pink & black)
Oil & Fuel Resistant



Large Stud Matting

Max width 1500mm
Thick 3mm-7mm



Fine Rib Rubber Matting

Max width 2000mm
Thick 3mm-10mm



Tread-plate Mat

Fully ramped
Stand Alone Mat

Max width 1500mm
Thick 3mm-7mm
Tough & comfortable



Checker Plate Rubber Matting

Max width 1500mm
Thick 3mm-7mm



Fine Rib colorful Rubber Matting

Max width 1500mm
Thick 3mm-10mm



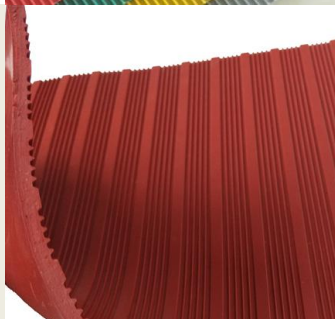
Big (Broad) Rib

Max width 2000mm
Thick 3mm-12mm



Thin Narrow Rib

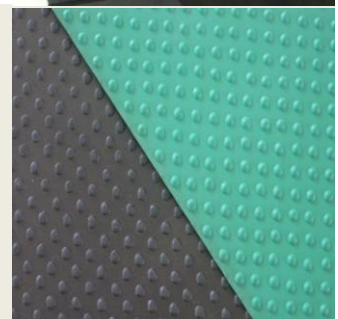
Max width 1500mm
Thick 3mm-7mm



Dome Matting

Rubber Anti-fatigue MAT

Max width 1200mm
Thick 3mm-7mm



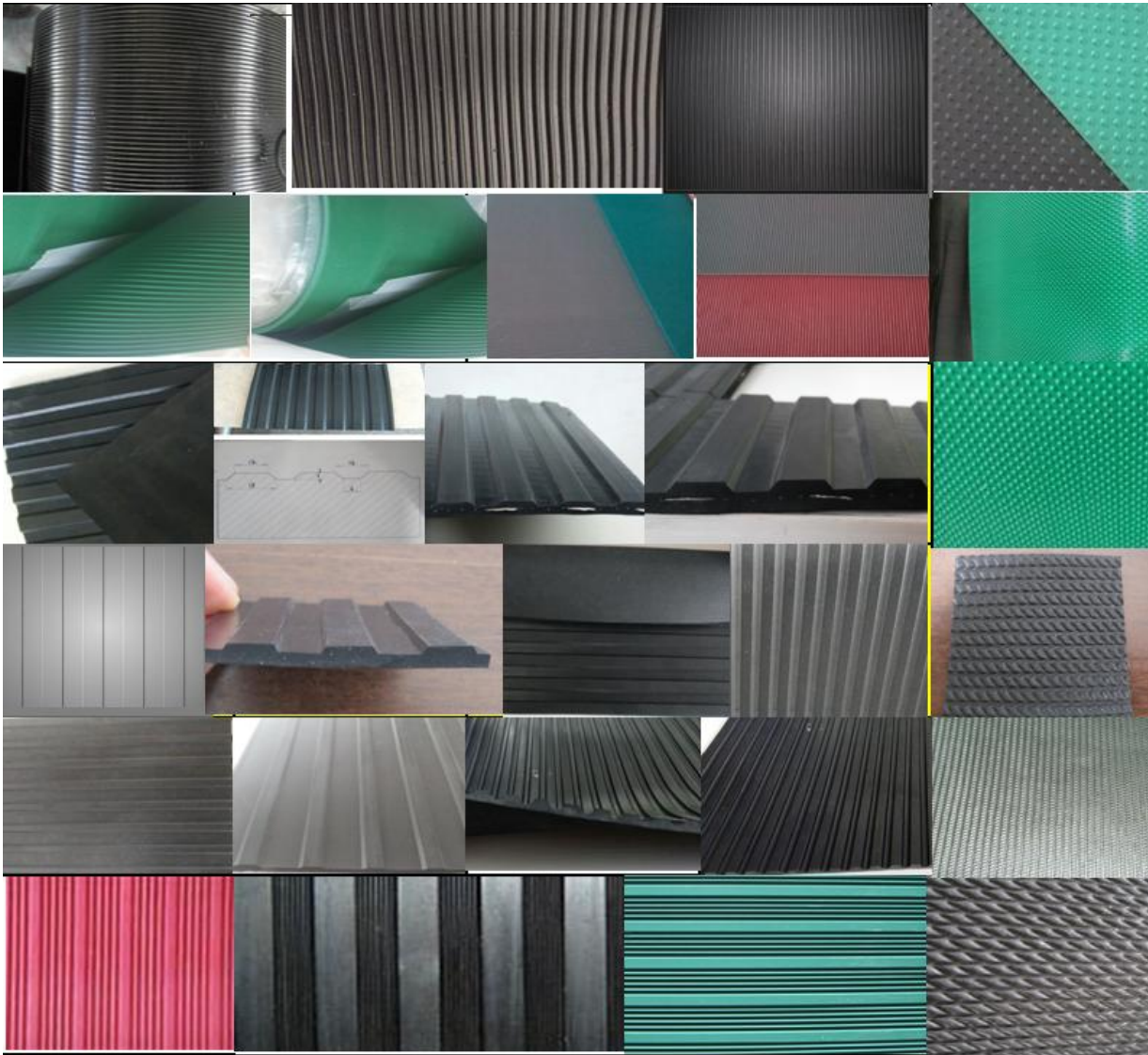
OTHER SPECIALTY RUBBERS ARE AVAILABLE – please enquire....



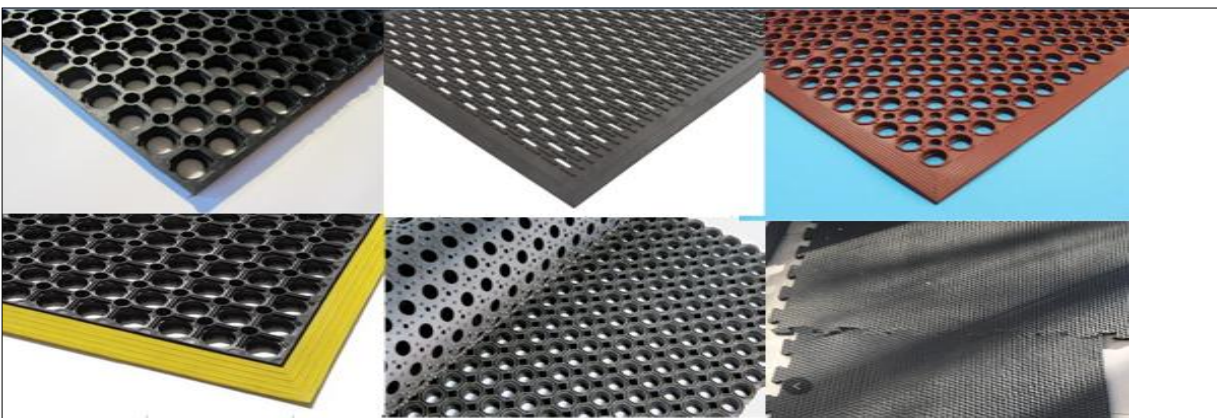
1-501 RM. NO.28 Building NO.216
heyuan road Qingdao China 266113
Cellphone:+86 137 9321 0283

www.chiefrubber.com
info@chiefrubber.com Prices & Spec's
subject to change without notice

RUBBER & ANTI FATIGUE MATTING (MORE PATTERNS)



WORKSHOP & ANTI FATIGUE RUBBER MATS



Not all patterns are shown....



1-501 RM. NO.28 Building NO.216
heyuan road Qingdao China 266113
Cellphone:+86 137 9321 0283

www.chiefrubber.com
info@chiefrubber.com Prices & Spec's
subject to change without notice

RUBBER MATTING & MATS – LIVESTOCK



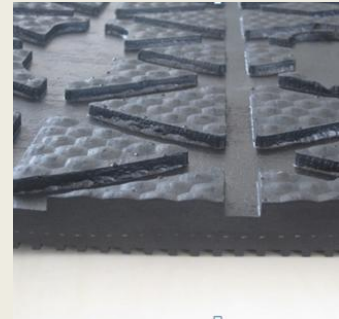
Turtle Back Insertion fabric

Max width 2000mm
Thick 8mm-20mm



Big Cow hoof

Max width 1830mm
Thick 19mm



Small Squared Mat

Width 1830mm
Length 1220mm
Thick 12mm



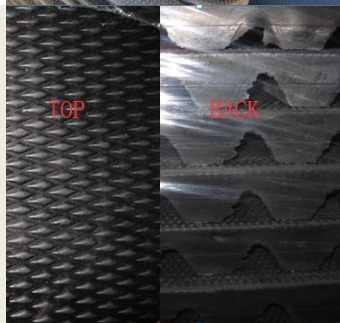
Studded Stable Mat

Width 1830mm
Length 1220mm
Thick 17mm



Small Diamond

Max width 2000mm
Thick 33mm



Big Diamond Insertion fabric

Max width 1800mm
Thick 20mm



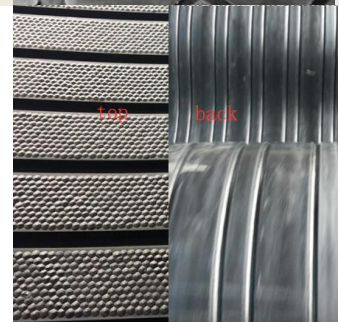
Diamond with Hammer top Insertion fabric

Max width 2000mm
Thick 17mm or 20mm



Small Diamond Insertion fabric

Max width 1700mm
Thick 17mm or 20mm



Tailgate Mat

1500mm W x 1750mm L
Molded cleats-good grip



Big Tailgate Mat

1200mm W x 2400mm L
Molded cleats-good grip



1-501 RM. NO.28 Building NO.216
heyuan road Qingdao China 266113
Cellphone:+86 137 9321 0283

www.chiefrubber.com
info@chiefrubber.com Prices & Spec's
subject to change without notice

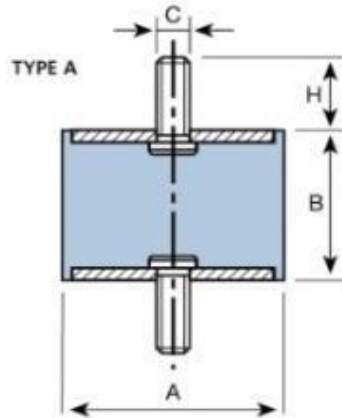
RATION -ISOLATION MOUNTS TYPE



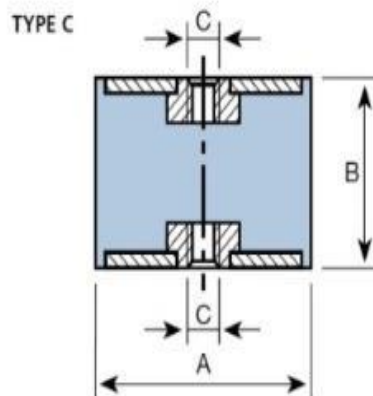
Chief rubber Anti-vibration Mounts come in a large selection of sizes and various style to suit a wide range of applications.

Ideal for electric & petrol motors, pumps, generators, air compressors, control & instrument panels, exhaust & radiator supports plus more – easy to install.

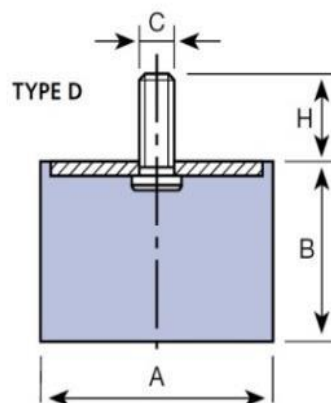
TYPE A – Male / Male



TYPE C – Female / Female



TYPE D – Male Buffer



Also available as a female buffer

Different size – POA



1-501 RM. NO.28 Building NO.216
heyuan road Qingdao China 266113
Cellphone:+86 137 9321 0283

www.chiefrrubber.com
info@chiefrrubber.com Prices & Spec's
subject to change without notice

RUBBER HOSE (HIGH PRESSURE)

A single steel wire braided hydraulic hose

Construction:

This hose shall consist of an inner tube of oil resistant synthetic rubber, a single steel wire braid reinforcement, and an oil and weather resistant synthetic rubber cover.

Applications:

This section covers hose for use with petroleum base hydraulic fluids within a temperature range of $-40^{\circ}\text{C} \sim +100^{\circ}\text{C}$.



Steel wire braided hydraulic hose

Construction:

This hose consist of an inner tube of oil resistant synthetic rubber, one or multi-wire braids reinforcement and weather resistant synthetic rubber cover.

Applications:

For delivery of water, mineral oil or water-based hydraulic oil in the hydraulic system of hydraulic fraines. Combined cool acttings in coal mine. Working temperature rangs is within $-40^{\circ}\text{C} \sim +100^{\circ}\text{C}$.



Colorful fabric cover air hose

Construction:

Used to convey compressed air and insert gas in mining, shipbuilding, civil engineering construction and casting industry.

Applications:

The appearance of hose is bright, with a good property of weather-resistant, anti-aging, ozone-resistant and flame-resistant. It will notcrack in the static for one year, the using environment is very suitable for shipyard and other environment. Outer layer's ozone-resistant property conform to the standard of ISO 7326:2006, IDT.



Not all hoses are shown....

OTHER SPECIALTY STEEL WIRE REINFORCED HOSE ARE AVAILABLE

Please enquire....



1-501 RM. NO.28 Building NO.216
heyuan road Qingdao China 266113
Cellphone:+86 137 9321 0283

www.chiefrubber.com
info@chiefrubber.com Prices & Spec's
subject to change without notice

Plastic Hose

Lay Flat PVC Hose Light Duty

Meet REACH Standard
Diameter 1"-16"
Thickwall 1.3mm-3mm
Work pressure 4bar



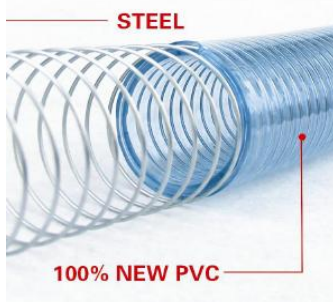
Lay Flat PVC Hose Heavy duty

Meet REACH Standard
Diameter 3/4"-8"
Thickwall 1.6mm-3.5mm
Work pressure 8bar -10bar



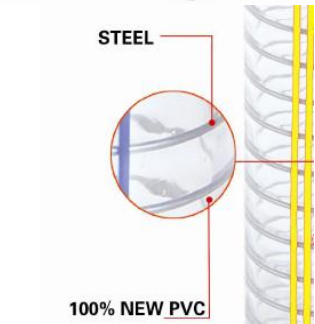
Steel wire reinforced Light Duty PVC hose

Passed ROHS/PAHS test
Diameter 3/8"-4"
Thickwall 3mm-6mm
Work pressure 3bar-6bar



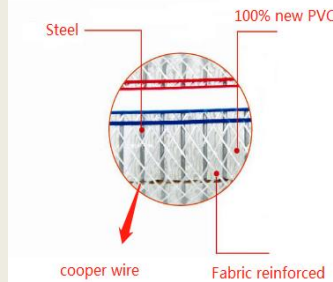
Steel wire reinforced Heavy Duty PVC hose

Passed ROHS/PAHS test
Diameter 1/4"-10"
Thickwall 3mm-16mm
Work pressure 3bar-8bar



Multi purpose PVC hose Anti static electricity

Diameter 1"-4"
Thickwall 4mm-8mm
Work pressure 4bar-6bar



Garden Hose Passed ROHS/PAHS test

Diameter 1/2"-1"
Thickwall 1.8mm-3mm
Work pressure 4bar-6bar



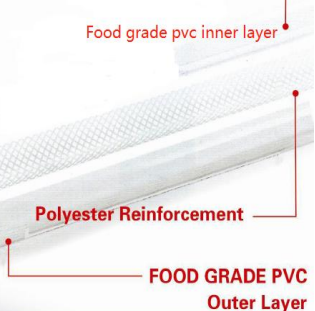
Specialized Garden Hose Passed ROHS/PAHS test

Diameter 1/2"-1"
Thickwall 2.5mm-4mm
Work pressure 5bar-8bar



Food grade PVC Hose

Diameter 1/4"-2"
Thickwall 2mm-5mm
Work pressure 4bar-10bar



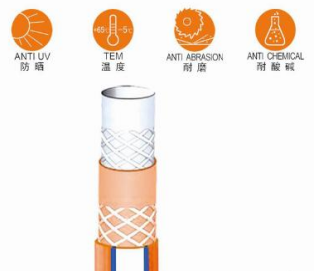
Air hose Passed ROHS/PAHS test

Diameter 1/4"-2"
Thickwall 3mm-8mm
Work pressure 15bar-20bar



Specialized Air Hose (5 layers)

Diameter 1/4"-1"
Thickwall 4mm-6mm
Work pressure 25bar-40bar



OTHER SPECIALTY PVC HOSE ARE AVAILABLE – please enquire....



1-501 RM. NO.28 Building NO.216
heyuan road Qingdao China 266113
Cellphone:+86 137 9321 0283

www.chiefrubber.com
info@chiefrubber.com Prices & Spec's
subject to change without notice